

## Table top Commercial Gas Griddle

### PARAMETERS SHEET

MODEL#: TFG SERIES



**MODEL # TFG-48**

### Specifications

- Stainless steel body
- Self-produced good quality U-shape burner with power of 30,000BTU/H each
- 25mm/1 " thick griddle plate
- Branded gas valve
- Manual ignition
- Height Adjustable leg
- 3/4" rear gas connection
- With Pilot Swift

Choose GAS TYPE When Placing Order

- LPG**  
Liquefied Propane Gas
- Town Gas**

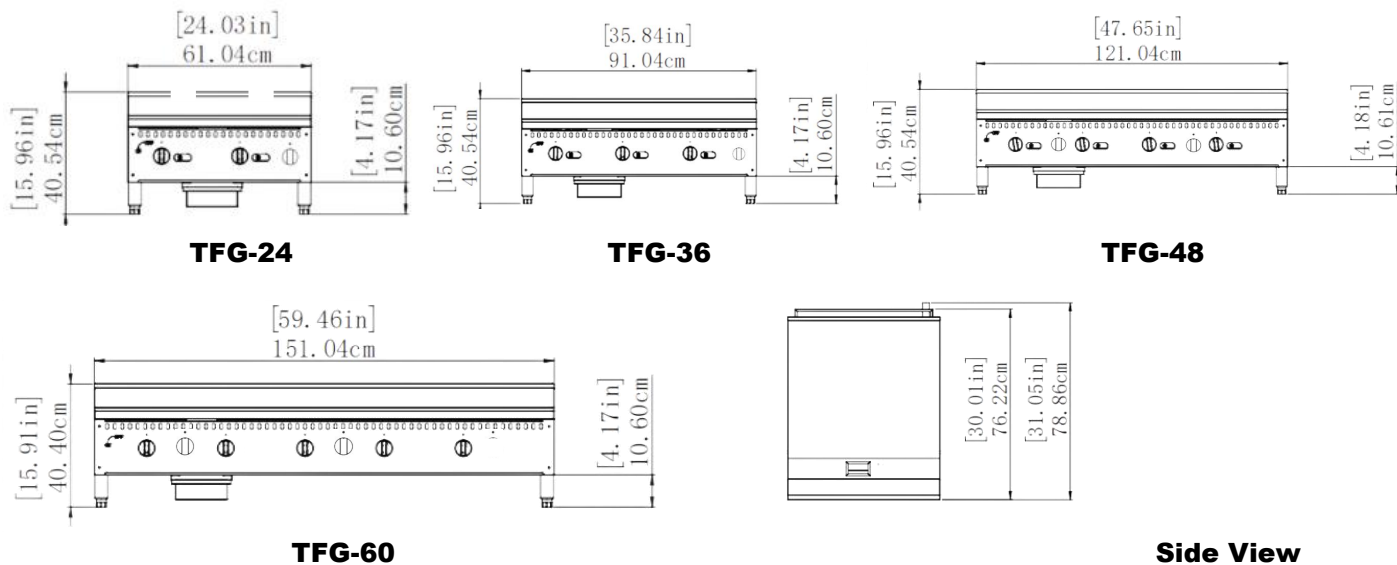
### Models in TFG series

- TFG-24 Griddle**
- TFG-36 Gas Griddle**
- TFG-48 Gas Griddle**
- TFG-60 Gas Griddle**

### Accessories for Standard

- Adjustable bullet leg
- Convert kit from LPG and Town Gas

### PRODUCT DIMENSION CHART



### Key Parameters

Model #	Product Dimension	Heat Power	Heating Burner	Gas Consumption:	Gas inlet Connection	N.W	G.W	Packing dimension
TFG-24	24x31.05x15.96 inch 610x789x405mm	60,000 BTU/H	2	LPG: 0.68(kg/h) Town Gas: 1.578(kg/h)	3/4" NPT Male	90.5kg	110.5kg	740X900X510mm
TFG-36	36x31.05x15.96 inch 910x789x405mm	90,000 BTU/H	3	LPG: 1.02(kg/h) Town Gas: 2.367(kg/h)	3/4" NPT Male	129.5kg	156kg	1040X900X510mm
TFG-48	48x31.05x15.96 inch 1210x789x405mm	120,000 BTU/H	4	LPG: 1.36(kg/h) Town Gas: 3.156(kg/h)	3/4" NPT Male	165kg	196kg	1345X900X510mm
TFG-60	60x31.05x15.96 inch 1510x789x405mm	150,000 BTU/H	5	LPG: 3.946(kg/h) Town Gas: 1.578(kg/h)	3/4" NPT Male	204.5kg	242.5kg	1625X900X510mm