

ROASTER CHARCOAL PARRILLA GP3G

TECHNICAL INFORMATION

Roasting area	3x (500X620 mm)
Fire up time	30 min average
Charcoal daily consumption*	Charcoal27 – 38 kg
Broiling temperature	200 °C to 250 °C
Exhaust rate	5.300 m3/h

DIMENSIONS & WEIGHTS

Without packaging	1800X825X1000 mm
With packaging	1880X970X1180 mm
Weight(NET)	250 kg
Weight (with packaging)	330 kg

INSTALLATION

Clearance with non-flammable equipment	100 mm
Clearance with flammable equipment	300 mm

*Depends on the charcoal quality.

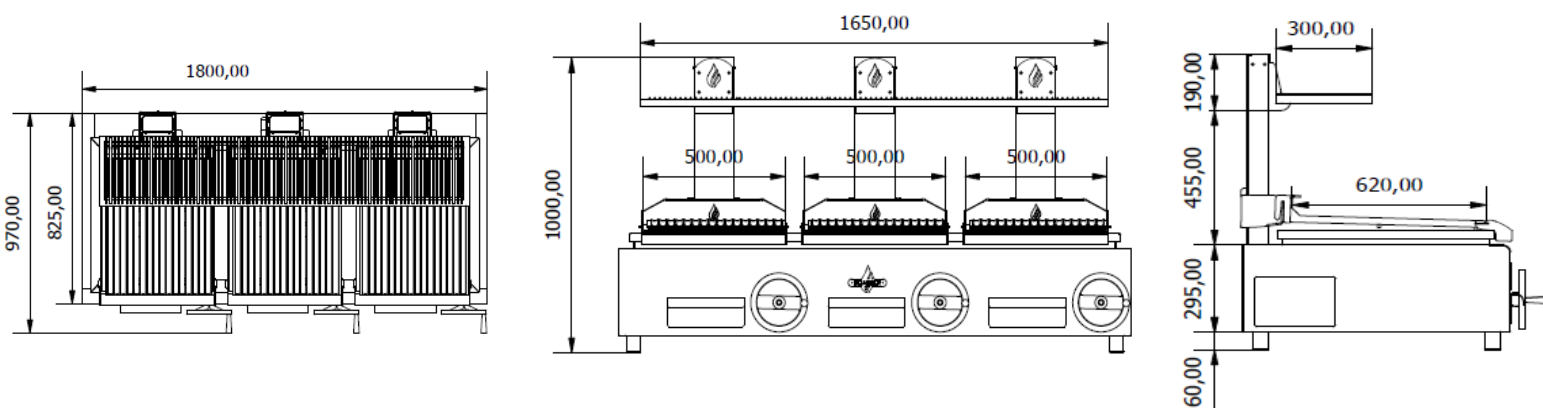
INCLUDED ACCESSORIES

3 "V" grooved removable grill rack // 4 removable upper racks // Grill scraper // Poker//
Ash pan drawer // Grease tray //Charcoal shovel// Fire bricks //Charcoal starter // Packaging

OPTIONAL ACCESSORIES

Extra "V" grills // "Z" grills // Rod grills

TECHNICAL DRAWINGS



*Dimensions in mm

*The parrillas are subject to technical and design changes without previous notice.

