

ROASTER CHARCOAL PARRILLA GP2GC

TECHNICAL INFORMATION

Roasting area	1000X620 mm
Fire up time	30 min average
Charcoal daily consumption*	Charcoal18 – 22 kg
Broiling temperature	200 °C to 250 °C
Exhaust rate	2.500 m3/h

DIMENSIONS & WEIGHTS

Without packaging	1200x825x1550 mm
With packaging	1280X970X1730 mm
Weight(NET)	220 kg
Weight (with packaging)	310 kg

INSTALLATION

Clearance with non-flammable equipment	100 mm
Clearance with flammable equipment	300 mm

*Depends on the charcoal quality.



INCLUDED ACCESSORIES

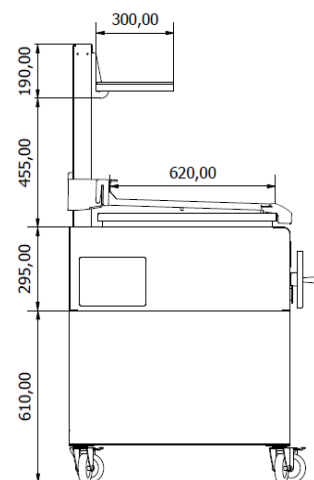
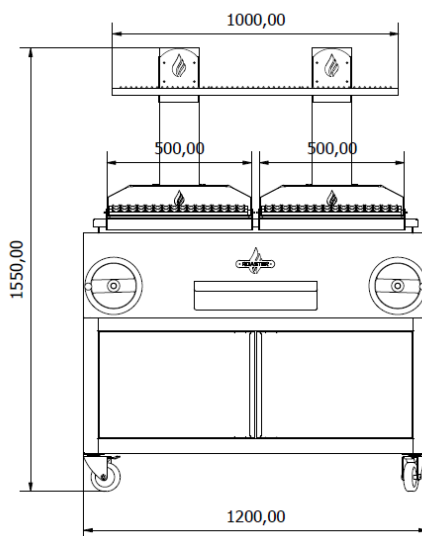
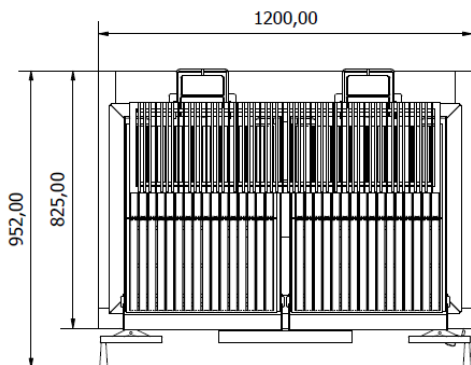
1 "V" grooved removable grill rack // 2 removable upper racks // Grill scraper // Poker//

Ash drawer // Grease trip pan //Charcoal shovel// Fire bricks //Charcoal starter // Packaging

OPTIONAL ACCESSORIES

Extra "V" grills // "Z" grills // Rod grills

TECHNICAL DRAWINGS



*Dimensions in mm

*The parrillas are subject to technical and design changes without previous notice.

