

## ROASTER CHARCOAL OVEN R54



### TECHNICAL INFORMATION

Productivity + -	45 diners
Fire up time	30 min average
Charcoal daily consumption *	6 – 8 kg
Performance*	7 h
Broiling temperature	250 °C to 350 °C
Exhaust rate	1.600 m3/h
HeatOutput*	6 kw
Extraction diameter $\Phi$	180mm

### DIMENSIONS & WEIGHTS

Without packaging	785X577X1095 mm
With packaging	860X760X1310 mm
Weight(NET)	230 kg
Weight (with packaging)	280 kg

### INSTALLATION

Clearance with non-flammable equipment	100 mm
Clearance with flammable equipment	300 mm

\*Depends on the charcoal quality.

### INCLUDED ACCESSORIES

2 Stainless steel grill racks // 2 Gastronorm racks // Chimney kit // Ash pan drawer

1 Stainless steel tong // Grease collector tray // Grill scraper // Poker// Ash shovel

### DOOR COLORS



Black



Red

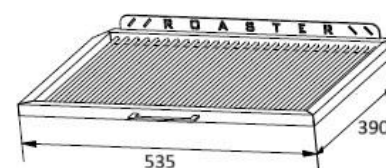
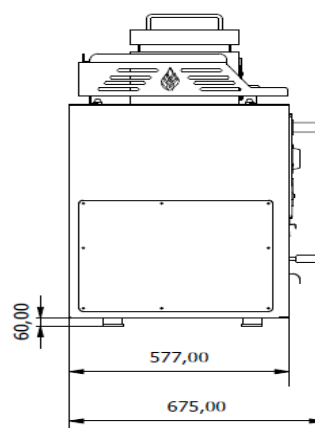
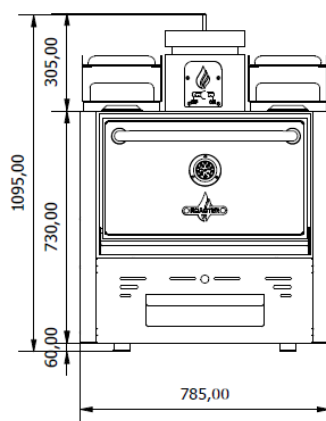
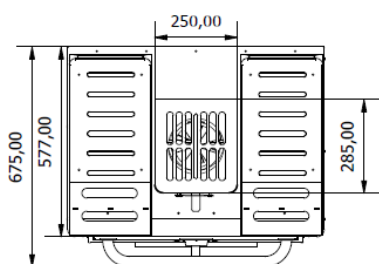


Inox



Blue

### TECHNICAL DRAWINGS



\*Dimensions in mm

\*The ovens are subject to technical and design changes without previous notice.

